



# Agile+

Take your work to the next level.



# Contents



Large Office Spaces  
Design harmony.



Small Office Spaces  
Make it your space.



Small Office Spaces  
Have it your way.



Open Plan Office Spaces  
Workspaces are evolving.



Open Plan Office Spaces  
Agile works everywhere.



Cable Management  
Tailored power solutions.





## More power to you.

Get a lot more with Agile+, designed to inspire a more collaborative working office environment, that shapes what we do and the way we do it, every day.

We understand the desk is your work

arena,

where you create, think, produce and get

prepared to always deliver on the task

at

hand. Whether it's standing up or sitting down, the flexibility and power of Agile+ delivers to modern working conditions through more power & more

functionality

that creates the right space that inspires

you to do your best.

We believe it's about giving people a choice to change their work environment at the push of a button. Smooth, fluid & fast movement controlled through a twin/ triple motor, delivering maximum structural integrity with a 160kg weight capacity.

Excellent stock levels of black & white

frames

& ready to ship, it's also backed with the OLG 15 year Warranty. Get more with

Agile+,

taking desking options to the next level.





### Clamp-on Screens

Create zones in your workspace and retain the open plan office atmosphere with the clamp-on E-panel screen. A simple solution which makes focus and team collaboration easy and fits directly to the table.

Open Plan Office Spaces

# Design harmony.



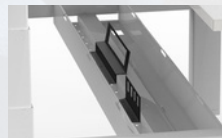


### Above Desk Power/Data

Easily fitted into Agile+ furniture collection and sits almost flush, this handy port gives you ease of access to power for your charging devices.

### Below Desk Power/Data

Enjoy the flexibility and get connected easily by adding cable tray power sockets. Easily fitted externally on the side of desk tray or hidden away internally.



Agile+ comes with extra features such as programmable height limiting functionality, and sensitivity adjustment for anti-collision safety. It also includes privacy screens & cable management options which integrate tidily with corner, back to back & single desk layouts. Whatever the ups & downs are with your next office fit-out project, you can be assured that Agile+ will provide the solution.





### Single-Sided Desk Screen

We like to create spaces within spaces that allow improved focus. Our single sided desk screens can be floor mounted or supported off the leg mounted brackets. Whatever you choose, it's about enabling you to make your workspace your own.



### Modesty Panel

Add privacy below the work surface with this modesty E-panel screen. Just attach to a table, desk, or other work surfaces.

Small Office Spaces

# Make it your space.





### Seamless Connection

Studio screens can be coordinated to fit across your workspace. They have been designed to connect seamlessly across single to double-sided desks, to deliver privacy & style in one go.

### Stabilise

Make sure the screen stays secure and stable, even when you are elevating your worksurface from sit to stand.

Agile+ has been designed to integrate seamlessly with the Studio 50 divider panel system. The 50mm screen profile brings a balanced, quality aesthetic while retaining the functionality & customisation ability that is required for making your space work for you. The screens can be specified in a variety of finishes & acoustic variations to make sure your space performs.





**Below Desk  
Power/Data**

Keep your office environment safe and compliant, with a built-in cable management system that encapsulates and protects power cords and network cables.

Small Office Spaces

**Have it your way.**







**Cable Management**  
Create a tidy environment while keeping it safe and compliant at the same time with floor to ceiling Cobra cable management system.

**Divider Screens**  
Add focus and privacy with the OLG screen range. Available in a wide range of colours and options. It is also easy to create a lighter weight division by using the E-panel slide on dividers.



Create the desired office environment through a perfect blend of creating personal space & combining that with functionality and safety. OLG make it easy to add colour through a wide range of textiles that will contribute a sense of balance to your office refit project. Talk to our team of experts about the full range of additional products that can be added to the Agile+ range.





### AboveDesk Power/Data

Add a desk mounted power data unit. The stylish and functional design can be applied to the range of Agile+ desk systems. Modules can be specified with a wide range of power and data outlets. Available in a variety of colours.

### Below Desk Power & Data

Add more power through the generous ducted cable management, which can be specified at any height above or below the desks at the time of manufacturing.

Open Plan Office Spaces

# Workspaces are evolving.





### Cable Management

Keep your office environment safe and compliant, with a built-in cable management system that segregates and protects power cords and network cables.

### Clamp-on Storage

Clamp-on shelf storage is perfect for keeping organised & freeing up valuable desk space.

At OLG we understand that every office project has different needs. That's why we are here to help you with a quality range of extra product features that can be easily added to the Agile+ range that will enhance your working environment. Storage solutions to maximise desk working space, power ports that are easy to access to power devices in today's modern environment. We offer storage solutions to maximise desk working space and power ports that are easily accessible. We have seen how work places have evolved and have catered for your every need.





### Desk Mounted Wrap Screens

Designed for easy installation these E-panel wrap screens will add a touch of privacy to any workspace.

Large Office Spaces

# Agile works everywhere.





### Below Desk Cable Management

Avoid trip hazards in the office by keeping all your cables tidy and out of the way. These cable baskets are stackable to separate AV/power cords. Attach power & data to keep multi-boards off the floor or for an even more discrete cable management solution use the cable clutch.



Power & data board



Cable Clutch

Creating a workspace people enjoy coming to every day is easily achieved with Agile+. Stylish New Oak melamine worktops with a true grain embossed finish can be raised or lowered with the touch of a button thanks to the advanced Agile+ handset which can be programmed to personal preferences depending on working style. The handset also gives safety assurance with the programmable height limiting function which makes sure your worktop does not reach higher than your partition height or lower than your storage.





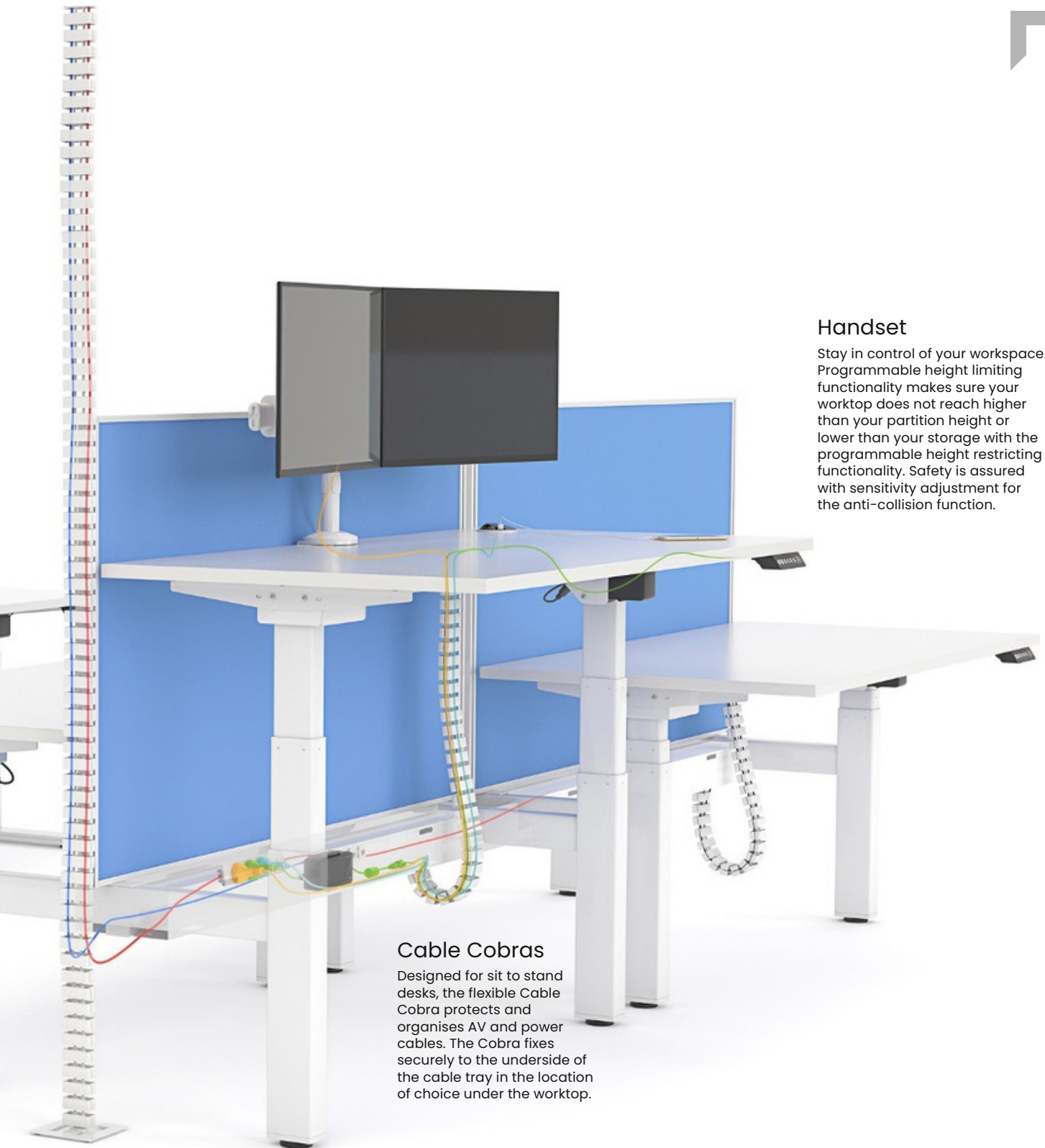
### Made to Match

We have designed our screen and cable management systems to seamlessly match across single and double-sided desking systems allowing you to make your office just how you need it.



Cable Management

# Tailored power solutions.



## Handset

Stay in control of your workspace. Programmable height limiting functionality makes sure your worktop does not reach higher than your partition height or lower than your storage with the programmable height restricting functionality. Safety is assured with sensitivity adjustment for the anti-collision function.

## Cable Cobras

Designed for sit to stand desks, the flexible Cable Cobra protects and organises AV and power cables. The Cobra fixes securely to the underside of the cable tray in the location of choice under the worktop.

Made to order privacy screens and integrated cable management systems let you tailor your office to your needs. Agile+ has been designed with tidy integrated solutions for corner, back to back & single sided layouts delivering a desking system that will work well in a variety of spaces.

# Agile+ Specs



## Frames

- 90 x 60 mm legs
- Flat foot design - Single desk
- H frame design - Double sided desk
- Electric height adjustable
- Concealed motors in each leg
- Height range - 645mm - 1285mm (including 25mm worktop)
- Adjustment speed - 30mm/s
- White or black powdercoat finish
- Weight rating 160 kg

## Worktops

- Melamine - 25 mm E1 grade substrate finished in studio white or new oak with matching 2 mm PVC edge
- Scalloped cut-out in rear centre 614w x 50d (only available in some sizes)
- 90° two piece worktop with a joint at 1200 mm along the left or right hand side
- 90° & 120° worktops include cable ports

## Power & Data

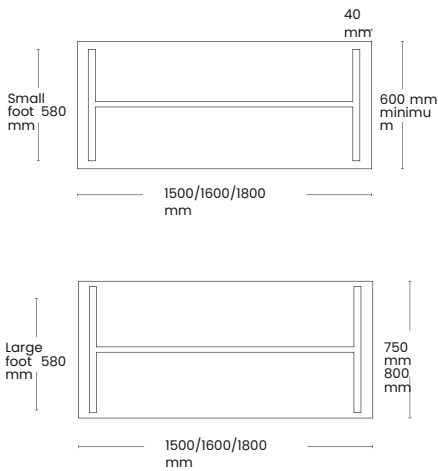
Inside the 50mm screen, or inside the integrated tray system.

## Features

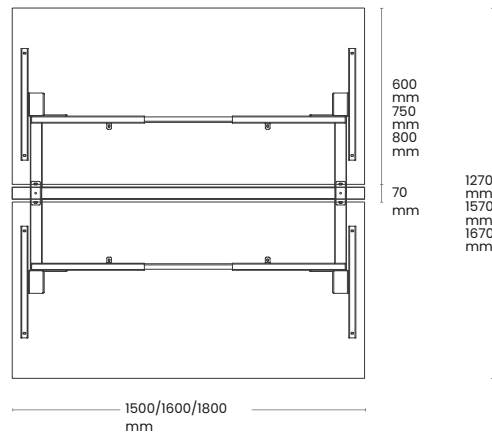
- Handset - Set max/min heights
- Handset - Digital readout Anti-collision control



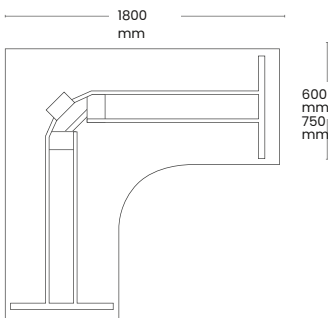
## Single Sided Desks



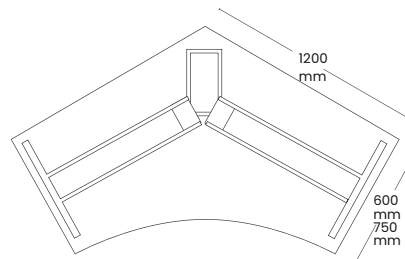
## Double Sided Desks



## Workstations 90°



## Workstations 120°





## Studio50 Screens

50 mm thickness

Breathe or Splice fabric all over

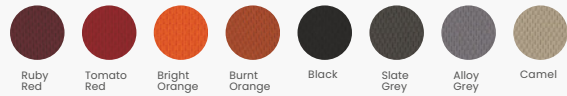
Light weight rigid core is pinnable

50 mm extruded aluminium frame

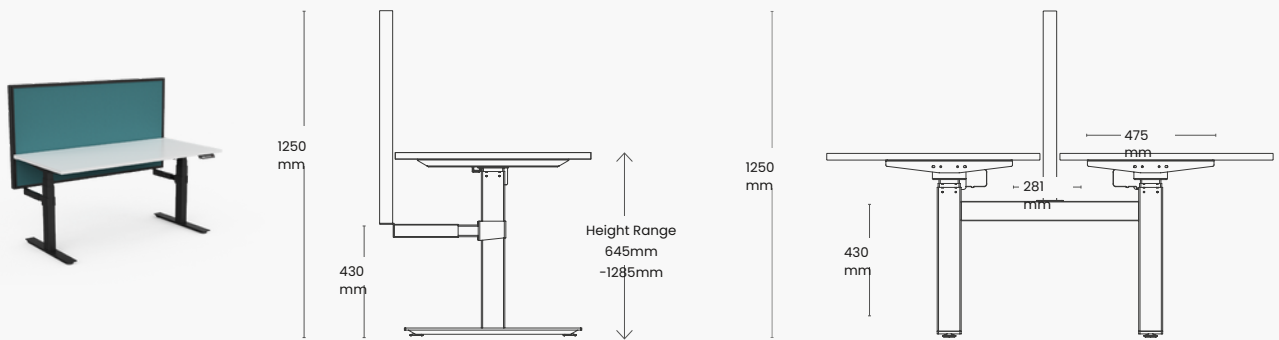
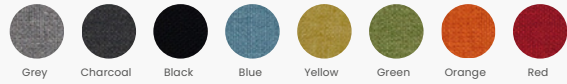
Frame finished in white or black powdercoat

Option for ducting with power data punch-outs to suit Elsafe/CMS cables/Sockets/GPO's/Data bezels

Breathe



Splice



## E-panel Screens

300 mm high and 9 mm thickness

Pinnable substrate

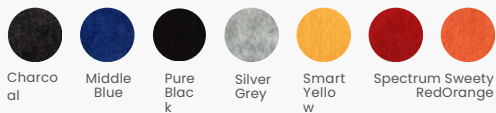
100% Polyester recycled PET

Square finishing on bottom and 50 mm radius on top

Cast aluminium clamps in white or black powdercoat



E-panel



## Wrap Around E-panel Screens

Pinnable substrate

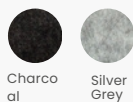
Left hand and right hand options

100% Polyester recycled PET

Nylon brackets



E-panel





# Activity Based Solutions

## motionoffice®

### Individual



Shell  
1 & 2 Person



Zip  
1, 2, 3, 4, 5 & 6 Person



Wave  
2, 4 & 6 Person



Wedge  
Fits Shell & Zip



Link  
Freestanding



Link  
Wall Mounted

### Collaborative



Team



Meeting



Ring



Disc  
Shown with Infill



Arc



Arc Low  
3, 4 & 5



Arc Mid  
3, 4 & 5



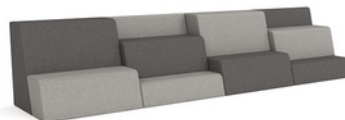
Arc High  
3, 4 & 5



Arc Worksurface  
Applies to 1100mm high only



Grandstand  
2 Tier & 3 Tier (Straight & 90°)



Expo



# motionoffice®

## Flexible



**Wing**  
1 & 2 Person



**Fin**  
1 & 2 Person



**Cape**  
1 & 2 Person



**Canopy**



**Loop**  
Straight, Curved 60°



**Loop with Backrest**  
Straight, Curved - 60° Outer / 60° Inner / 90° Outer



**Otto**



**Coffee Table**  
Straight, Curved



**Tablet Table**



**Round Table**  
730 or 1050mm high

## Seating



**Luna Chair**  
Castor Base, Oak Base



**Luna Barstool**  
Oak Base



**Motion Sync**  
Nylon Base, Optional Arms



**Free**  
Alloy Base



**Balance Project**  
Black Fabric  
Breathe Cover



**Balance Project**  
Black/White PU  
Breathe Cover



**Balance Task**  
Black Fabric



**Balance Visitor**  
Black Fabric



**Balance Cantilever**  
Black Fabric



hello@bentleyworkspaces.com  
www.bentleyworkspaces.com  
1800 789 922  
Level 2, 9 Elizabeth Street Hobart TAS 7000